

Assembly and instructions for use **EAZYBOARD**



www.ringer.cc



RINGER
GERÜSTE + SCHALUNGEN

LET'S BUILD

RINGER GmbH
A-4844 Regau
Römerweg 9
+43 7672 72711 - 0
office@ringer.at
www.ringer.at

Content

1	General information	4
2	Product description	7
3	Product overview	8
4	Application with AluDEK	9
5	Application with DEKplus	11
6	Application with other corner mould systems	12
7	Stripping and cleaning	13
11	Overview of individual parts	14

1 General Information



REFERENCE

Refers to other documents, with more detailed information.



TECHNICAL INFORMATION

Indicates important product properties.



HINT

Provides useful tips from from practice.



CHECK

Check the activity you have carried out.



WEAR PROTECTIVE GLOVES

Wear gloves due to risk of injury (risk of cuts)!

Safety instructions

FOREWORD

For the safety-related application and use of the products, the country-specific laws, standards and any additional applicable regulations must be applied. They form part of the obligations of employers and employees with regard to occupational health and safety. Among other things, this results in the employer's obligation to ensure the stability of formwork structures during all construction stages. This also includes the basic assembly, dismantling and transport of these structures or parts thereof, their parts. The entire structure must be inspected during and after assembly.

INSTRUCTIONS FOR ASSEMBLY AND USE (AUV)

Formwork is technical work equipment intended exclusively for commercial use. The intended use may only be carried out by professionally suitable and qualified staff. These instructions for assembly and use are an integral part of the formwork construction. It contains safety instructions, information on the standard design and intended use as well as a system description. Drawings and explanatory illustrations are also included.

AVAILABILITY OF THE AUV

The user must ensure that the AuV provided by RINGER is available at the place of use and is known and accessible to the employees.

INSTRUCTION

The functional instructions (standard design) in the AuV must be followed exactly. Deviations from this require separate verification by the user in compliance with the relevant laws, standards and safety regulations.

VISUALISATIONS

Some of the illustrations shown in the instructions are assembly states and are therefore not always complete in terms of safety. Any safety devices not shown in these illustrations must nevertheless be used by the user in all cases.

STORAGE AND TRANSPORT

The special requirements of the formwork constructions with regard to transport processes and storage must be taken into account.

MATERIAL CHECK

The formwork material must be checked for perfect condition and function on arrival at the construction site and before any further use. Modifications or conversions are not permitted. All connections must be checked for tightness and function. This is particularly necessary after exceptional events (e.g. storms/stormy weather).

REPLACEMENT PARTS AND REPAIRS

Only original parts may be used as replacement parts. Repairs may only be carried out by RINGER or authorised facilities.

RISK ASSESSMENT

The user is responsible for drawing up, documenting, implementing and reviewing a risk assessment for each construction site. His employees are obliged to implement the resulting measures in accordance with the law. The AuV forms one of the bases for creating a risk assessment.

ASSEMBLY INSTRUCTIONS

The user is responsible for creating written assembly instructions. The AuV forms one of the bases for creating these assembly instructions.

CHANGES

We reserve the right to make changes in the course of technical development.

Eazyboard for slab formwork



2 Product Description

Eazyboard is a simple system for filling levelling surfaces or fitting surfaces in slab formwork. The system is optimised for the Ringer AluDEK and DEKplus systems, but can in principle be used for all slab formwork systems.

The main advantage is the unlimited reusability without waste: in contrast to the use of formwork panels, which are usually only used once in fitting areas, Eazyboard can be reused immediately after stripping and rough cleaning. Eazyboard can be used again immediately after stripping and rough cleaning.

There is also no need to measure and cut formwork panels to size. This saves both material and valuable working time.

Eazyboard primarily consists of a galvanised steel sheet and a mounting rail for use on AluDEK lowering heads or on DEKplus tables using DEKplus infill beam adapters.

The application is simple:

Eazyboard is hung with the rail section like a normal support rail in AluDEK drop-down heads or in support rail adapters from DEKplus support rail adapters. The free sheet metal panel is placed on the formwork facing of the formwork system and secured with nails. Fitting areas up to a width of 45cm can be bridged continuously.

The sheet metal has a thickness of 3 mm. This results in a vertical step of 3 mm in the underside of the raw ceiling. This can be levelled out if necessary. However, Eazyboard is usually used for suspended ceilings or suspended ceilings that will not be visible later, which means that in most cases it is not necessary to rework the step. The Eazyboard is **not** suitable for forming ceilings with exposed concrete requirements.

Eazyboards can be arranged next to each other sheet to sheet without any problems; it is not necessary to seal the sheets to each other with adhesive tape or similar aids.
or similar aids is not necessary.

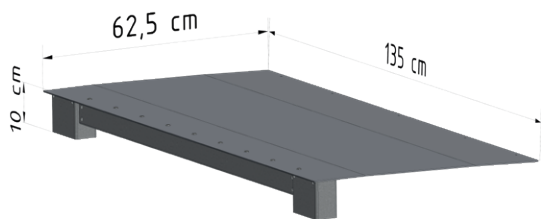
AluDEK elements are available as standard in widths of 45 / 60 / 90 and 135 cm, so that the necessary fitting area can always be limited to a maximum width of 45 cm by skillfully arranging the different element sizes.

The minimum levelling width is 8 cm. Use is recommended for compensation widths of 15 cm or more.

Eazyboard can also be used for non-rectangular floor plans or sloping floor plans without additional time or material.
See section 4.

3 Product overview

1 Eazyboard



Equalisation width in [cm]	Max. ceiling thickness in [cm]
36 - 45	35
31 - 35	40
max. 30	50

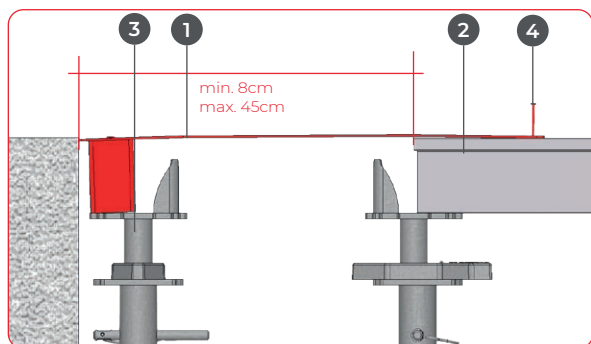
Ceiling thicknesses

The maximum ceiling thickness for Eazyboard depends on the free span of the of the bridging: with the maximum width of 45cm, a ceiling thickness ceiling thickness of 35cm is possible. The shorter the levelling width, the greater the maximum ceiling thickness can be (Table 1).

If the free bridging length has to be reduced due to a large ceiling thickness, it is recommended that a second narrow levelling area elsewhere, for example between two rows of AluDEK.

Note: for "sloping" applications, the longer side of the bridging counts

4 Application with AluDEK



Fitting area to the wall

Ceiling props with attached AluDEK lowering head are arranged along the wall.

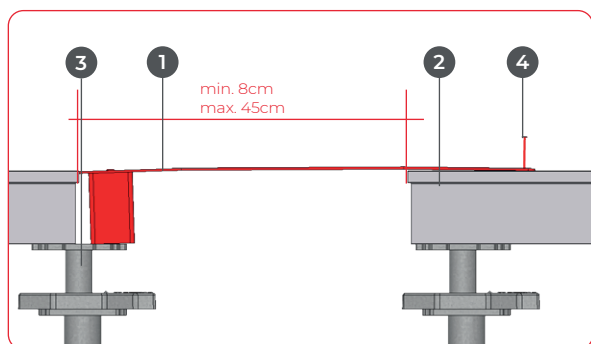
The suspension part of the Eazyboard is placed on the AluDEK lowering head so that the sheet is in direct contact with the wall.

The other sheet end of the Eazyboard rests freely on the AluDEK lowering head. To secure against displacement and for stabilisation against horizontal forces, each Eazyboard at least 3 pcs. 70 mm nails must be used per Eazyboard. Holes are provided on the edge of the are provided for this purpose.

The ceiling props must be secured against falling over. This can be done using support brackets or by fixing the Eazyboard to the wall using squared timber or a guide rail through an existing anchor hole in the wall. alignment rail through an existing anchor hole in the wall.

The AluDEK lowering heads must be secured to the ceiling props with spring bolts!

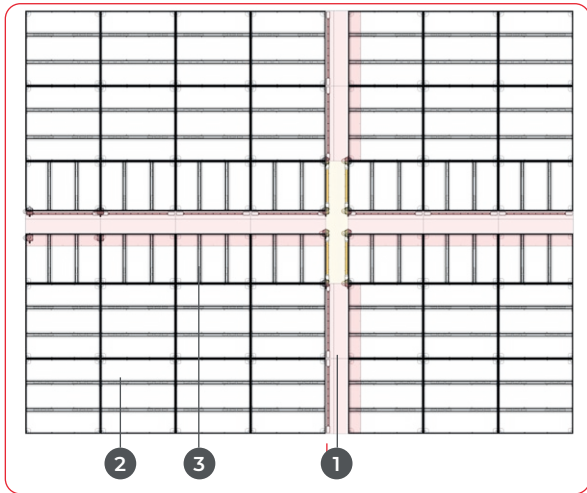
- 1 Eazyboard**
- 2 AluDEK Element**
- 3 AluDEK Prop head**
- 4 Nail 70mm**



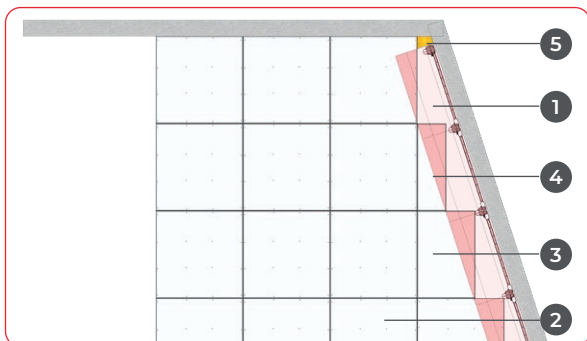
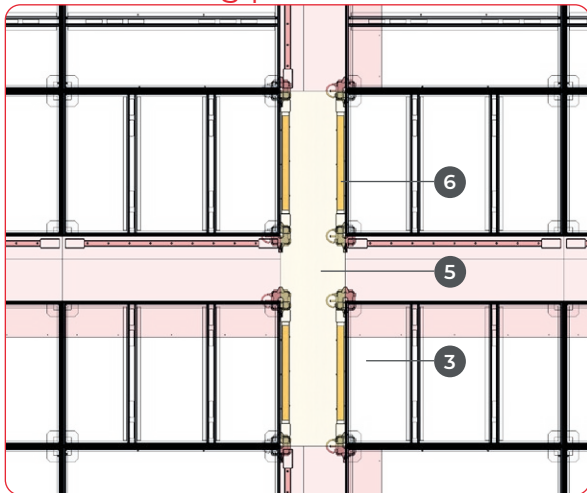
Fitting area between AluDEK lowering head

This application is similar to the fitting area to the wall. The Eazyboard is placed on the AluDEK lowering heads on one side and the other side rests on the next AluDEK element. Here too, secure with at least 3 70 mm nails per Eazyboard.

Arrangement



Detail crossing point:



Arrangement for rectangular rooms

For rectangular floor plans, it is recommended that the compensators are laid crosswise in the centre of the room. The AluDEK lowering head elements are planned in such a way that by combining different element widths, the levelling equalisation width is a maximum of 45 cm in both directions (or less for ceiling thicknesses over 35 cm - see table under point 3). At the intersection of the levellers, support rails are placed on opposite AluDEK lowering heads support rails are placed on opposite AluDEK cross area is closed with a 21mm or 27mm formwork panel.

- 1 Eazyboard**
- 2 AluDEK Element 135/135**
- 3 AluDEK Element 135/90**
- 4 AluDEK Element 135/45**
- 5 Formwork panels**
- 6 AluDEK infill beam**

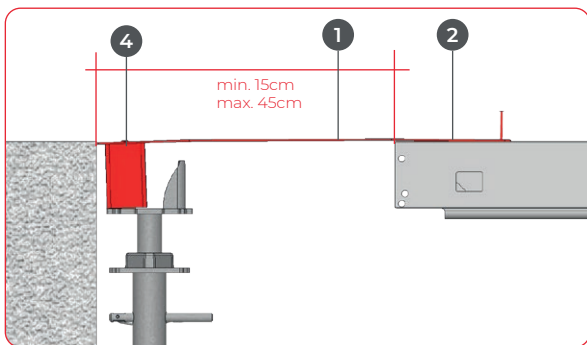
Arrangement for sloping floor plans

Eazyboard can be used just as easily for sloping floor plans: the AluDEK lowering head elements are arranged in such a way that the maximum distance between an element corner and the wall is a maximum of 45cm (for ceiling thicknesses up to 35cm). This sawtooth-shaped area is then covered with Eazyboards. On the wall side, the same rules apply as for fitting areas to the wall (securing the ceiling props against falling over). Here too, each Eazyboard must be fixed into the formwork with at least 3 pcs. 70 mm nails into the formlining of the AluDEK lowering head below.

5 Application with DEKplus

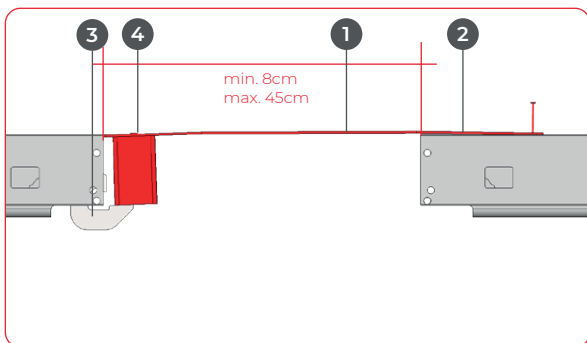
Passport areas

DEKplus top tables have all-round side openings in the edge profile. The following information for levelling to the wall or between DEKplus tables therefore applies to the front and also to the long side of the tables.



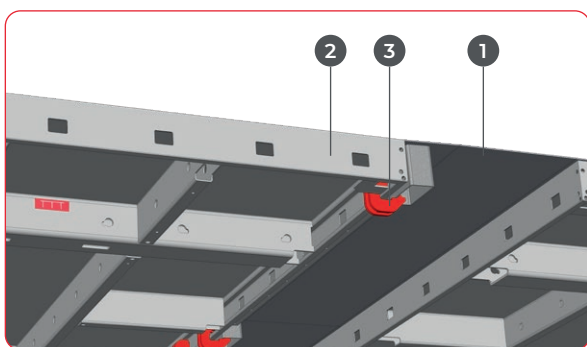
Fitting area to the wall

The same rules apply as for AluDEK lowering heads. The free end of the Eazyboard lies on the formlining of the DEKplus table. The securing and maximum levelling width are identical to the specifications under point 4.

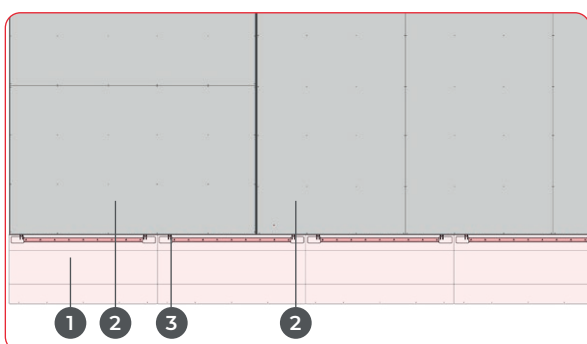


Fitting area between DEKplus tables

On one side of the compensation area, DEKplus suspension adapters for AluDEK lowering head are suspended. The suspension part of the Eazyboard is placed on these adapters. The free sheet metal side lies on the opposite table and is also secured here with at least 3 pcs. nails.



- 1 Eazyboard
- 2 DEKplus table
- 3 DEKplus Suspension adapter AluDEK
- 4 AluDEK head



The Eazyboards can also be easily installed across the joint of two tables, as the side openings in the edge profiles are always at the same distance - regardless of the table width.

6 Application with other slab formwork systems

Eazyboard is optimised as a supplement for the Ringer AluDEK lowering head and DEKplus slab formwork systems. In principle, Eazyboard can also be used with any slab formwork system - even from other manufacturers. The only requirement is that Ringer AluDEK lowering heads on ceiling props are used on the suspension side. The free sheet side rests on the formlining of the respective slab formwork system and is secured with nails.



Eazyboard must not be used with systems in which the formlining is made of metal. The use of nails for horizontal securing in the underlying formwork facing must be guaranteed!

7 Stripping and cleaning



Strippingn

Eazyboard is cleaned on the construction site with scrapers or similar tools. High-pressure cleaners can also be used.

Cleaning

It is recommended to apply a thin layer of release agent to the top of the sheet before the next use.

8 Overview

Individual parts

Art. No.	Item	PG	Weight [kg]	Unit
AluDEK Panels				
10004533	* AluDEK Panel 135/135 with Phenolic plywood	20130	29,90	pc.
10002092	AluDEK Panel 135/135 with Plastic-ply	20130	31,10	pc.
10004585	* AluDEK Panel 135/135 with Alkus	20130	32,00	pc.
10000742	* AluDEK Panel 135/90 with Phenolic-ply	20130	22,10	pc.
10000740	AluDEK Panel 135/90 with Plastic-ply	20130	22,50	pc.
10002415	* AluDEK Panel 135/90 with Alkus	20130	22,50	pc.
10002423	* AluDEK Panel 135/60 with Phenolic-ply	20130	16,30	pc.
10002421	AluDEK Panel 135/60 with Plastic-ply	20130	16,50	pc.
10002425	* AluDEK Panel 135/60 with Alkus	20130	16,80	pc.
10002424	* AluDEK Panel 135/45 with Phenolic-ply	20130	13,00	pc.
10002422	AluDEK Panel 135/45 with Plastic-ply	20130	12,80	pc.
10002426	* AluDEK Panel 135/45 with Alkus	20130	13,40	pc.
System Parts				
10002461	Quick Lowering Head for AluDEK galvanized	20131	3,20	pc.
10008289	Eazyboard galvanized	20131	25,60	pc.
10002462	Assembly Bar for AluDEK 220 - 375cm	20131	2,90	pc.
10006394	Assembly Bar for AluDEK 245 - 425cm	20131	4,00	pc.
10000587	Infill Beam 135 for AluDEK 21+27mm galvanized	20131	8,70	pc.
10000588	Infill Beam 90 for AluDEK 21+27mm galvanized	20131	5,60	pc.
10008349	Infill Beam variable 135 27mm for AluDEK galvanized	20131	7,60	pc.
10008344	Cross Beam 135 for Infill beam variable galvanized	20131	5,80	pc.
10008346	Cross Beam 90 for Infill beam variable galvanized	20131	3,80	pc.
10007423	Adjustable Clamp short for AluDEK and DEKplus galvanized	20131	3,20	pc.
10008160	AluDEK adapter for parapet clamp galvanized	20131	2,90	pc.
10003371	H20 Suspension Bracket galvanized for AluDEK	20131	1,20	pc.
10007939	AluDEK Drophead galvanized	20131	5,70	pc.
10007936	Covering strip for AluDEK Drophead plastic	20131	1,40	pc.



Individual parts

AL2000 270 Plastic Coated Plywood

10001090	AL2000 Panel 270/90 with Plastic-ply	20030	54,00	pc.
10004218	AL2000 Panel 270/60 with Plastic-ply	20030	42,00	pc.
10004217	AL2000 Panel 270/50 with Plastic-ply	20030	37,00	pc.
10004216	AL2000 Panel 270/45 with Plastic-ply	20030	34,00	pc.
10000084	AL2000 Panel 270/40 with Plastic-ply	20030	32,00	pc.
10004215	AL2000 Panel 270/30 with Plastic-ply	20030	26,00	pc.
10004214	AL2000 Panel 270/25 with Plastic-ply	20030	24,00	pc.
10000082	AL2000 Panel 270/20 with Plastic-ply	20030	22,00	pc.



AL2000 135 Plastic Coated Plywood

10001096	AL2000 Panel 135/90 with Plastic-ply	20030	28,50	pc.
10001095	AL2000 Panel 135/60 with Plastic-ply	20030	21,00	pc.
10001094	AL2000 Panel 135/50 with Plastic-ply	20030	18,50	pc.
10001093	AL2000 Panel 135/45 with Plastic-ply	20030	16,50	pc.
10002266	AL2000 Panel 135/40 with Plastic-ply	20030	15,00	pc.
10001092	AL2000 Panel 135/30 with Plastic-ply	20030	12,00	pc.
10001091	AL2000 Panel 135/25 with Plastic-ply	20030	11,00	pc.



EU Props hot-dip galvanized EN 1065 20 kN

10001788	Prop EU 20kN size 1 / 1,51 - 2,50m galvanized BD 25	20181	14,50	pc.
10001789	Prop EU 20kN size 2 / 1,80 - 3,00m galvanized BD 30	20181	15,50	pc.
10001084	Prop EU 20kN size 3 / 2,00 - 3,5m galvanized CD35	20181	20,00	pc.
10001085	Prop EU 20kN size 4 / 2,25 - 4,00m galvanized CD40	20181	22,00	pc.
10006657	Prop EU 20kN size 4,5 / 2,5 - 4,50m galvanized CD45	20181	27,00	pc.
10004454	Prop EU 20kN size 5 / 3,05 - 5,50m galvanized CD55	20181	35,00	pc.



10002978	Tripod EU for Props (foldable) galvanized	20181	10,60	pc.
----------	---	-------	-------	-----



Connecting Parts

10001766	Waler 150 galvanized	20081	18,70	pc.
10001830	Waler 100 galvanized	20081	13,60	pc.
10003515	RS-Clamp galvanized	20082	1,70	pc.



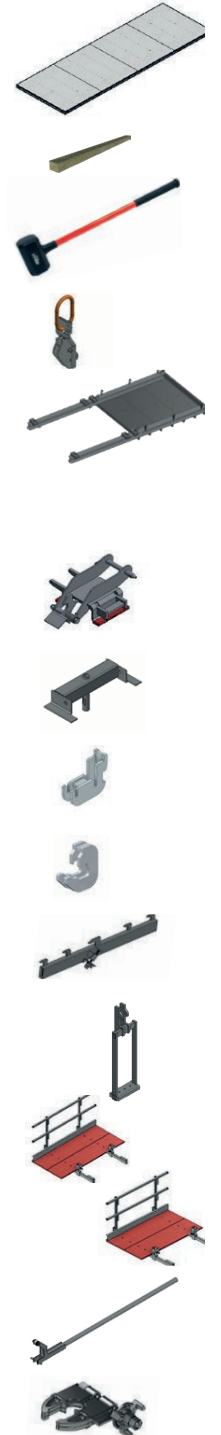
Individual parts

Concreting Tables

10002402	DEKplus Table 540/225 galvanized with Plastic-ply	20120	551,00	pc.
10002403	DEKplus Table 540/180 galvanized with Plastic-ply	20120	498,40	pc.
10000563	Underlay Timber 7,5 x 10 x 190cm for Concreting Table	20100	5,80	pc.
10006568	Underlay Timber 7,5 x 10 x 170cm for Concreting Table	20100	5,20	pc.
10004912	* Rubber hammer kickback free	20081	5,50	pc.
10005005	DEKplus Crane Hook Load capacity 780 kg	20121	2,10	pc.
10007021	Unloading Platform 5000kg 2900mm galvanized	20100	2.582,00	pc.

Accessories for Concreting Tables

10002774	DEKplus Head galvanized	20121	9,10	pc.
10007342	Support head for cross beam galvanized	20121	6,70	pc.
10007755	DEKplus Adaptor for Infill Beam galvanized	20121	0,50	pc.
10005032	DEKplus Adaptor for AluDEK galvanized	20121	0,63	pc.
10005020	DEKplus Connection Rail	20121	11,50	pc.
10008375	Suspension bracket for H20 galvanized	20131	1,80	pc.
10002140	DEKplus Table Platform 220	20121	99,70	pc.
10002173	DEKplus Table Platform 175	20121	89,50	pc.
10007900	DEKplus stripping tool galvanized	20121	10,50	pc.
10007423	Adjustable Clamp short for AluDEK and DEKplus galvanized	20131	3,20	pc.



10008271	DEKplus railing shoe with formwork galvanized	20121	11,40	pc.
10008270	DEKplus Shoe für Side Protection Grid	20121	2,90	pc.
10000873	Guardrail Post for Side Protection Grid galvanized	20350	3,70	pc.
10002639	Guardrail Post 35cm for DEKplus galvanized	20350	1,70	pc.
10007443	Railing extension 60cm galvanized	20350	3,40	pc.
10007393	DEKsafe 270 powder-coated	20350	19,30	pc.
10006913	DEKsafe 220 powder-coated	20350	17,50	pc.
10006912	DEKsafe 175 powder-coated	20350	13,80	pc.
10000872	Side Protection Grid 2,7m galvanized	20350	24,00	pc.
10004510	Side Protection Grid 1,45m galvanized	20350	17,00	pc.
10002180	DEKplus Side railing pluggable	20300	14,30	pc.



Transfer devices

10006600	DEKplus Tabel lifter Typ EGPL15/42	20121	1.860,00	pc.
10006848	DEK Table lifter manually	20121	268,60	pc.
10007537	DEKplus extension frame for shifting trolley galvanized	20121	94,60	pc.



Release Agent and Spraying Device

10006706	* Release Agent (canister 25 litre)	20081	22,50	can.
10006708	* Release agent (in 200 liter barrels)	20081	180,00	Bar.
10006707	* Special Release Agent for exposed concrete (25 liter canister)	20081	22,50	can.
10003508	* Spraying Device with flat jet nozzle set (5 Liter content)	20081	5,00	pc.



LET'S BUILD

20260319 JE

RINGER GmbH
A-4844 Regau
Römerweg 9
+43 7672 72711 - 0
office@ringer.cc
www.ringer.at

